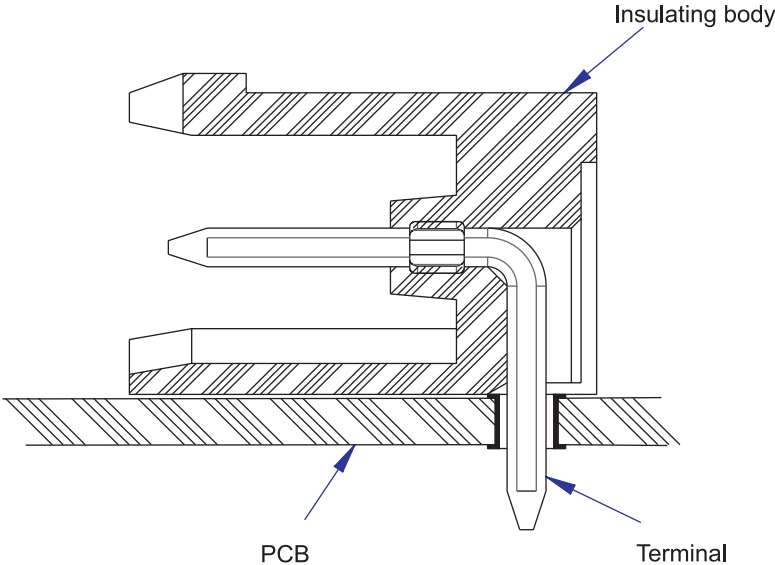
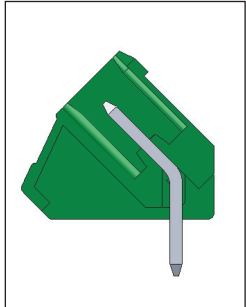


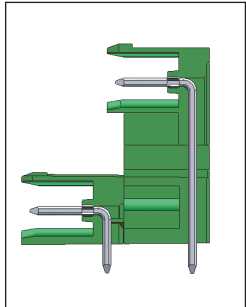
ME SERIES (header)



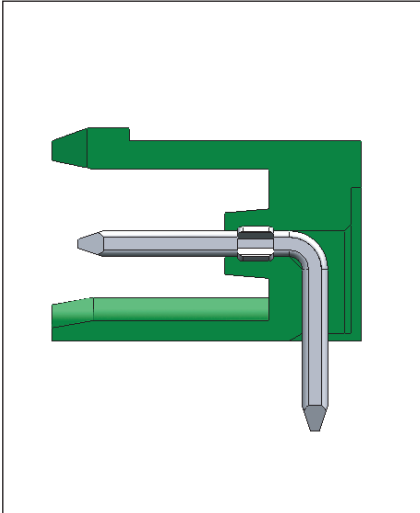
Single-level
135° connector



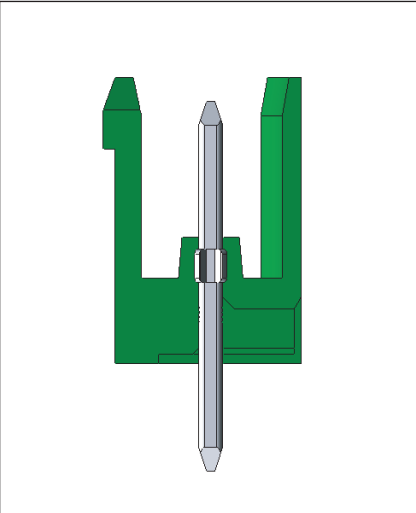
Double-level
Horizontal connector



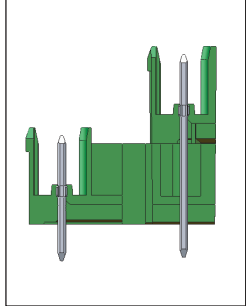
Single-level
Horizontal connector



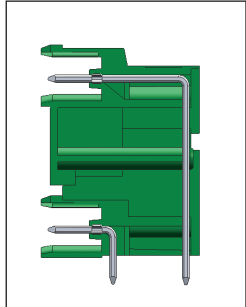
Single-level
Vertical connector



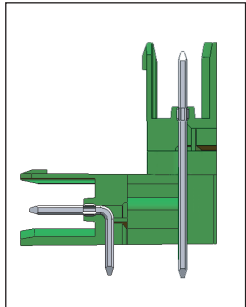
Double-level
Vertical connector



Double-level
Horizontal connector



Horizontal/Vertical
connector



ME 2-

ORDER GUIDE

TYPE	BODY	MODEL	PITCH		POLES		
ME...	Open / Horizontal (開放 / 90°)	1 Single (一體)	O	3.50mm	350	Modular (模組式) / 2 poles	M02
	Open / Vertical (開放 / 180°)	2 Left (左邊)	L	3.81mm	381	Modular (模組式) / 3 poles	M03
	Closed / Horizontal (封閉 / 90°)	3 Right (右邊)	R	5.00mm	500	Single (一體式) / 2 poles	02
	Closed / Vertical (封閉 / 180°)	4		5.08mm	508	Single (一體式) / 3 poles	03
	Flange / Horizontal (法蘭 / 90°)	5		7.50mm	750	:	:
	Flange / Vertical (法蘭 / 180°)	6		7.62mm	762	:	:
				10.00mm	100	:	:
				10.16mm	016	:	:
						Single (一體式) / 24 poles	24