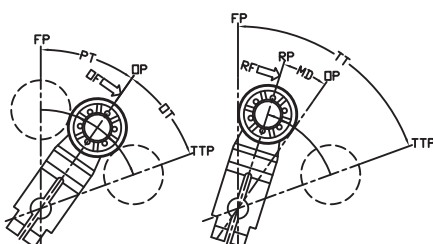
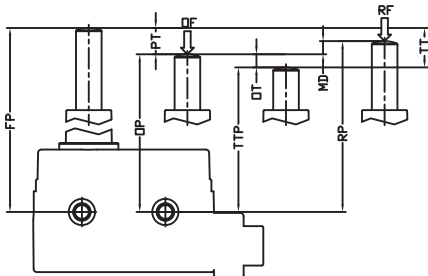


■ 動作特性用語

FP (自由位置)：由外部未施加外力時之傳動軸位置。  
 OP (動作位置)：由於傳動軸受到外力，致可動接點從自由位置之狀態反轉時之位置。  
 TTP (動作限度位置)：傳動抵達傳動軸止動元件時之傳動軸之位置。  
 RP (復歸位置)：減少傳動軸之外力可動接點從動作位置反轉至自由位置時之傳動軸位置。  
 OF (動作所需力量)：指從自由位置移動至動作位置，所必要施加於傳動軸之外力。  
 RF (復歸力)：指從動作限度位置移動至復歸位置，所必要施加於傳動軸之外力。  
 PT (動作前移動)：從傳動軸之自由位置移動至動作位置之移動距離，又可稱為移動速度。  
 OT (動作後移動)：從傳動軸之動作位置移動至動作限度位置之移動距離又可稱為移動角度。  
 MD (應差移動)：從傳動軸之動作位置移動至回復位置之移動距離，又可稱為移動角度。  
 TT (整體移動)：從傳動軸之自由位置移動至動作限度位置之移動距離，又可稱為移動角度。

■ Terms Related to Characteristics

FP(Free Position)The initial position of the actuator when no external force is applied.  
 OP(Operating Position)The position where the movable contact reverses from the free position when an external force is applied to the actuator.  
 TTP(Total Travel Position)The position of the actuator when it reaches the stopper.  
 RP(Releasing Position)The actuator position where the movable contacts reverse from the operating position to the free position when the external force on the actuator is reduced.  
 OF(Operating Force)The force applied to the actuator required to operate the switch contacts  
 RF(Releasing Force)The value to which the force on the actuator must be reduced to allow the contacts return to the normal position.  
 PT(Pretravel)The distance or angle through which the actuator moves from the free position to the operating position.  
 OT(Overtravel)The distance or angle through which the actuator moves from the operating position to the total travel position.  
 MD(Movement Differential)  
 The distance or angle from the operating position to the releasing position.  
 TT(Total Travel)  
 The distance or angle through which the actuator moves from the free position to the total travel position.

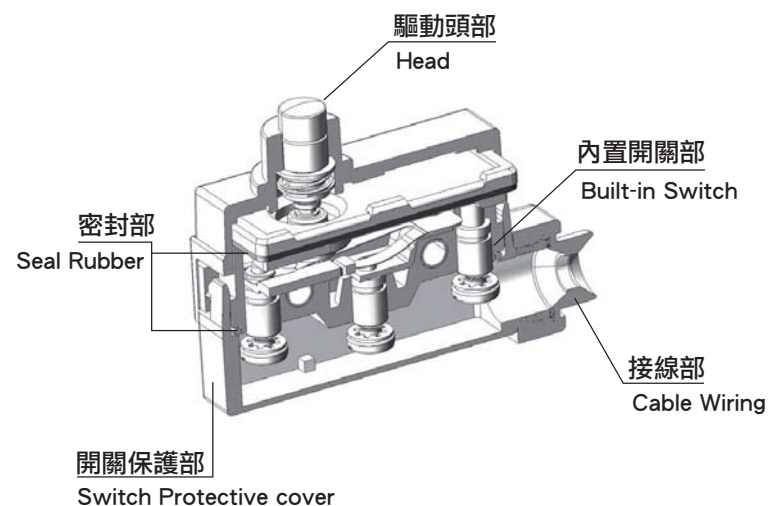
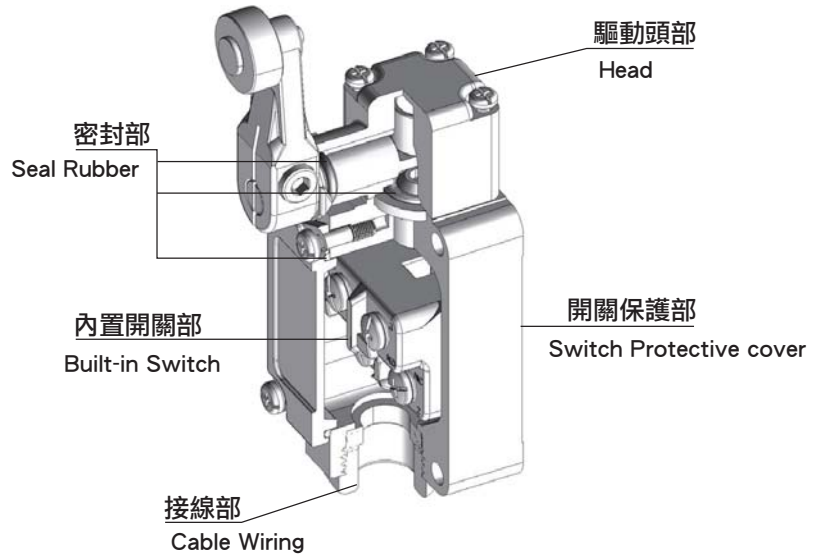


結構及特點

驅動頭部：將外部之力或行程傳輸到內置開關。可依需求選擇不同結構之驅動頭部。  
 開關保護部：機械強度佳，將開關置入保護  
 密封部：將內部機構、開關。與外界進行隔離保護，依據不同防護等級決定使用位置或使用與否。

Structure and Characteristic

Head : The head is an independent mechanism of the Switch and incorporates an actuator mechanism.  
 Switch Protective Cover : The Switch protective cover, which is also called housing, protects the Switch mechanism.  
 Seal Rubber : The Limit Switch is sealed to protect the built-in switch from external factors.



內置開關部：接受驅動頭部傳遞之訊號使接點進行開、關之動作。  
 接線部：固定外部連接用電纜，對內外部進行隔離保護。  
 Built-in Switch : The Built-in Switch is used to receive the transmitted signal from actuator to enable the contact switched.  
 Cable Wiring : The Cable Wiring is a distance between the fixed contact and movable contact when they are separated from each other.